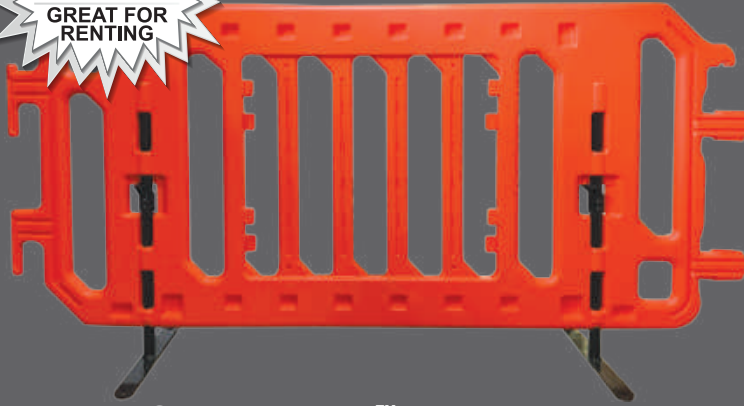


CROWDCADE™ & CROWDCADE™ DELUXE

Crowd Control Parade Barricades

**THE ULTIMATE!
GREAT FOR RENTING**



Crowdcade™ Deluxe

Deluxe 7' thick walled, plastic barricade with steel legs and feet

- Sturdy and extra durable - Feels as solid as steel, but won't rust
 - 50% thicker double wall panel, prevents warping or bending
- Superior stability, stands up to large crowds
 - steel legs are integrated with barricade panel, preventing tip-over
- Anti-trip, flat steel feet are securely welded to steel legs
 - powder coated finish
- Feet rotate and lock for compact stacking
 - molded-in lugs keep units from sliding when stacked
- Tamper resistant locking hooks create strong connections
 - prevent in-line barricades from being pulled apart
- Double locking hooks accommodate various configurations
 - units pivot on hooks and adjust to uneven ground
- Unique Quick-Change™ system makes it easy to insert signs, 29.5" x 26"
 - signs held in by stay tabs™ on both sides of barricade
 - holes for bolting signs if required
- Available in orange and white
 - custom colors with minimum order quantity



Crowdcade™

6' durable plastic barricade with strong plastic legs and rubber feet

- Sturdy, and durable - thick, double wall panel
- Feet won't break off from panel
 - stable, recycled rubber feet, securely attached to panel
- Easy stacking, no tangling of feet
 - feet rotate flat for stacking
 - molded-in lugs keep units from sliding when stacked
- Tamper resistant linking bracket
 - prevent in-line barricades from being pulled apart
- Linking bracket accommodates various configurations
 - units pivot on bracket and adjust to uneven ground
- Holes for bolting on signs (one side)
- Panels on both sides for retroreflective sheeting
- Available in orange and white
 - custom colors with minimum order quantity



Steel, Anti-trip feet

Crowdcade™ Panels on both sides for sheeting



Holes for sign to be affixed

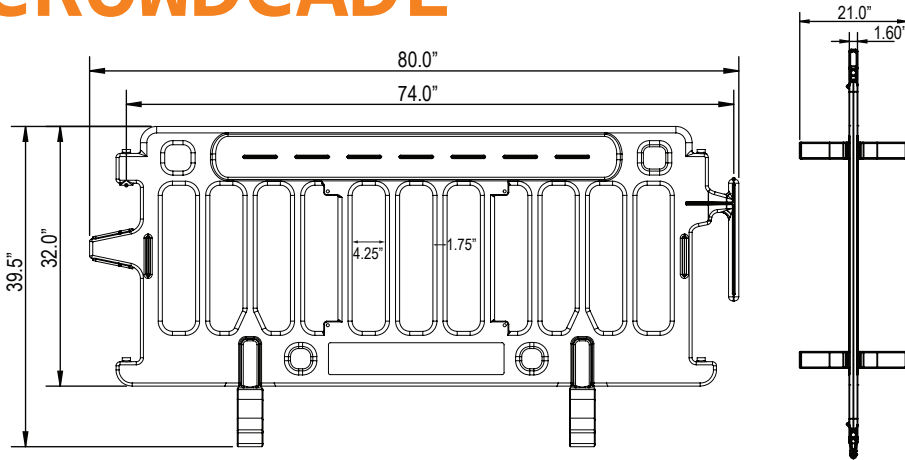
Crowdcade™ Deluxe with Quick-Change™, holds two 29.5" x 26" signs just slide signs in...

Barrier HQ 

SBA WOSB
Woman Owned Small Business



CROWDCADE™



connected unlocked

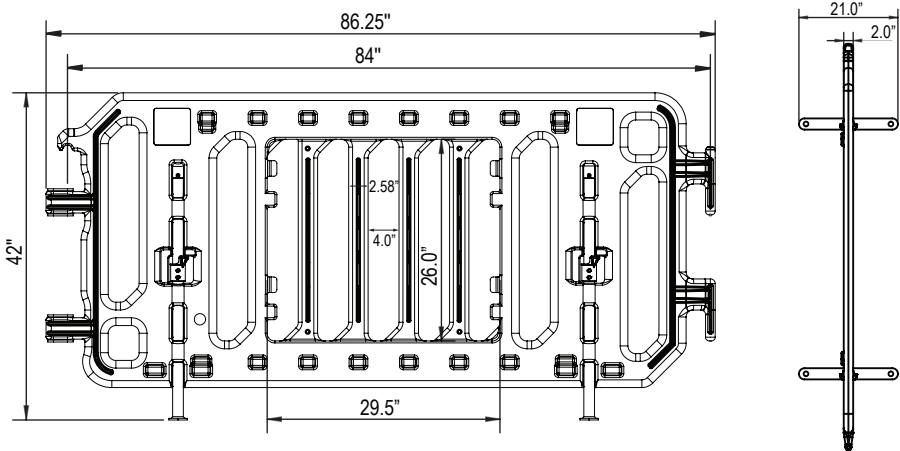


connected locked



feet rotate for stacking

CROWDCADE™ DELUXE



connected



connected locked



feet rotate and lock for stacking

To lock feet, rotate foot and push down on top of barricade. To release lock, stand on foot and pull up barricade.

patent pending on Crowdcade™ Deluxe

Specs: Crowdcade™

Composition	Polyethylene
Weight	32 lbs. with feet Feet weigh 9.5lbs.ea.
Length	74"
Height	39.5"
Connected length	6'
Colors	Orange & White
Sheeting Area	5.5" x 51"
Retroreflective Sheeting	Striped sheeting in engineer grade or high intensity prismatic grade
Sign size	24"W x 18"H or larger

Specs: Crowdcade™ Deluxe

Composition	Polyethylene
Weight	35 lbs. with feet Feet weigh 5 lbs. ea.
Length	86.25"
Height	42"
Connected length	7'
Sign Insert Size	29.5" W x 26" H 4 mm (3/16" thick) corrugated plastic sign material recommended
Colors	Orange & White

Barrier HQ

SBA WOSB
Woman Owned Small Business

For more information:
Call: (800) 930-0901
Email: sales@BarrierHQ.com
Web: www.BarrierHQ.com